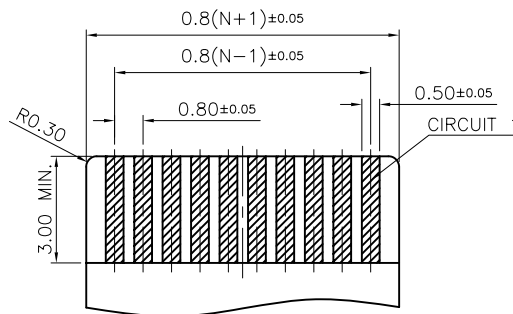


RECOMMENDED PC BOARD PATTERN DIM. (REF.)



APPLICABLE FPC (THICKNESS: 0.3±0.03)

NOTES:

- MATERIAL:
 - HOUSING: THERMOPLASTIC, HIGH TEMP.,UL94V-0; COLOR:NATURAL.
 - ACTUATOR: THERMOPLASTIC, HIGH TEMP.,UL94V-0; COLOR:BLACK.
 - CONTACT: COPPER ALLOY
 - FITTING NAIL: COPPER ALLOY
- FINISH:
 - CONTACT:50u" MIN. NICKEL PLATING OVERALL, 1: GOLD PLATED ON CONTACT; N: 100~200u" MATT TIN PLATING
 - FITTING NAIL:50u" MIN. NICKEL UNDERPLATING OVERALL, 80~150u" MATT TIN PLATING.
- REFLOW SOLDER CAPABLE TO 260°C PER ACES SPEC.
- SPEC. PLS. REFER TO PS-51596-XXXXX-XXX.
- PACKAGE PLS. REFER TO 51596-XXXXX-00-TRP.
- PART NUMBER

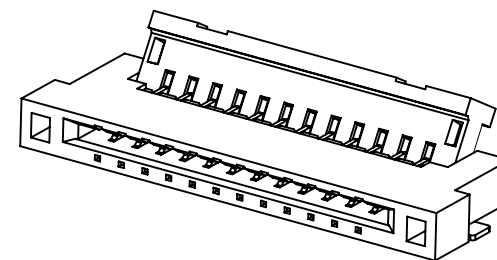
51596-XXX X X-XXX

NO OF CKT

PACKING
0: TAPE & REEL
1: TUBE

	HOUSING MATERIAL&COLOR	ACTUATOR MATERIAL&COLOR	HALOGEN FREE
001	HF & NATURAL	HF & BLACK	HF

PLATING
1: GOLD PLATED ON CONTACT
N: MATT TIN



CKT	Dim A	Dim B	Dim C	Dim D			
26	20.00	25.20	21.66	21.90			
一般公差 TOLERANCES X ±0.50 XX ±0.15 X ±0.25 XXX ±0.10 ANGLES ±2°							
宏致電子股份有限公司 Aces Electronics Co.,Ltd.		製圖 (DR) TANGENHUI 14'/03/14 審核 (CHKD) DAVID 圖號 (DWG NO.) 51596-XXXXX-XXX 核准 (APPD) SIMON					
檢驗尺寸標示 SYMBOLS INDICATE CLASSIFICATION DIMENSION MARK IS CRITICAL DIM. MARK IS MAJOR DIM.		品名 (TITLE) 0.8 PITCH EASY ON FPC CONN H=1.5mm SMT R/A TYPE	比例 (SCALE) 5:1	單位 (UNITS) mm	張數 (SHEET) 1 OF 1	尺寸 (SIZE) A4	圖號 (REV) 0